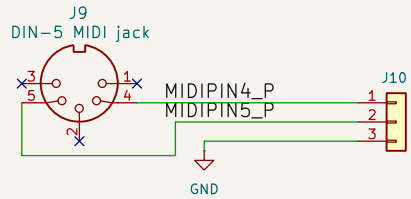
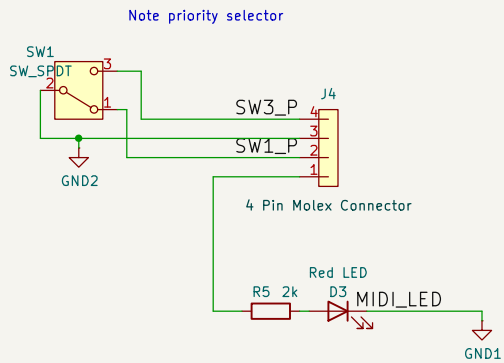
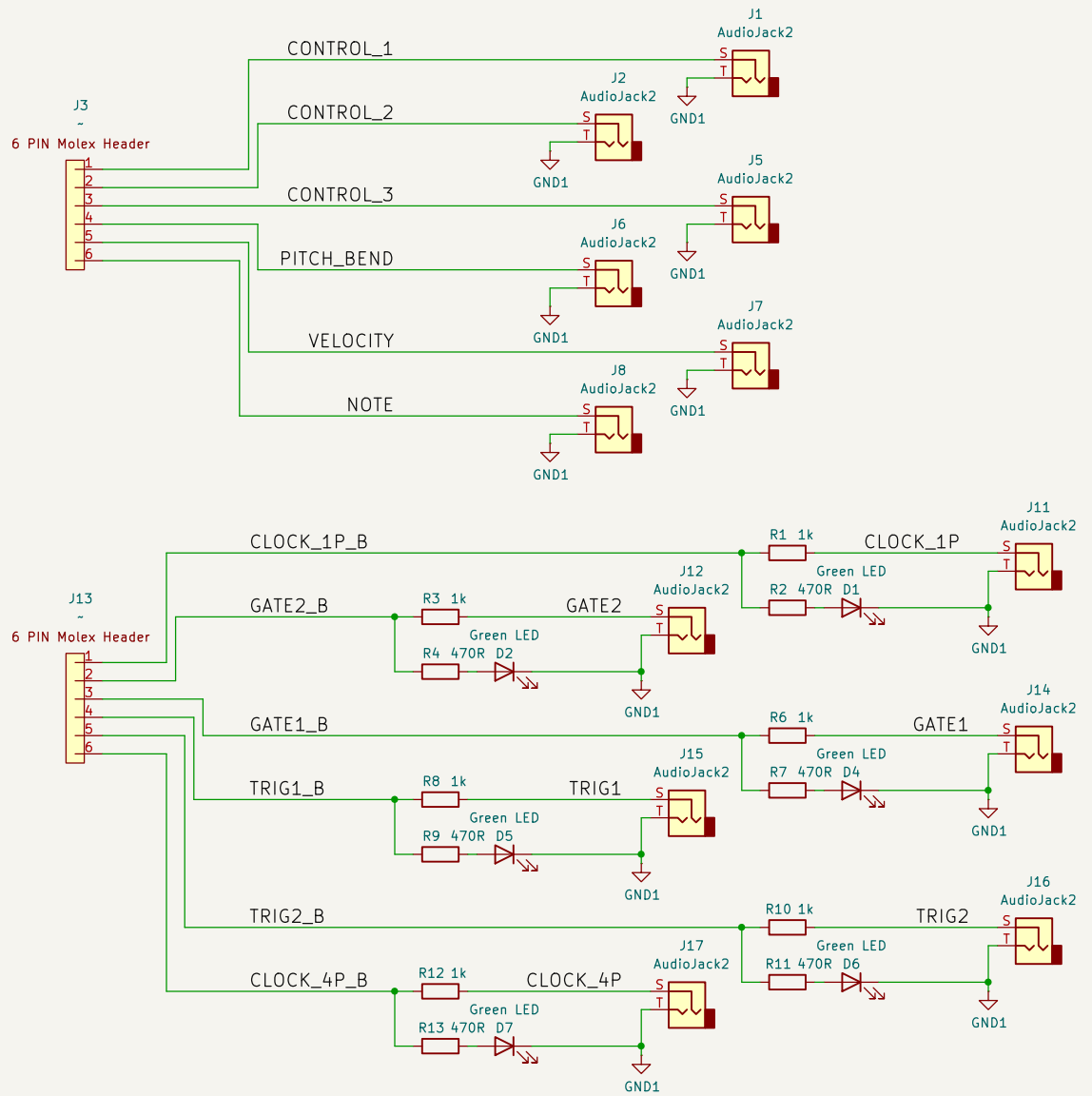


# Components mounted on panel



Pin 1 and 2 are inputs from the MIDI Jack to the board.  
 Pin 3 is output from the board to the jack and LED ground.  
 Pin 4 is output from the board to the midi LED.



Original Schematic: Rich Holmes / Analog Output  
 Adapted from <https://github.com/elkayem/midi2cv>  
 via <https://github.com/philippejadin/midi2cv>  
**Oxenfree**  
 Sheet: /  
 File: panelcomps.kicad\_sch  
**Title: MCVI (3/2)**  
 Size: USLetter | Date: 2026-04-08 | **Rev: 1**  
 KiCad E.D.A. 9.0.6 | Id: 1/1